



VEKA JOINERY

**PVC | Aluminium  
Joinery  
Manufacturer**



**Metaller**<sup>®</sup>  
WINDOWS



# About us

We take care of the details that make the difference. Comfort, functionality, design and quality. Professional and effective solutions for your projects.

---

The main activity of the Metaller brand is the production and marketing of high quality PVC and aluminum joinery.

The first concepts of the brand appeared in 2016, and in 2017 Metaller Windows is born.

In 2019, Metaller Windows invests heavily in its own production plant for PVC and aluminum joinery and becomes a VEKA partner. Metaller Windows's mission is to become one of the most important producers of PVC and Aluminum joinery in Romania.

For a high quality we need befitting suppliers, therefore we have partnerships with top suppliers in the field such as: VEKA, SALAMANDER, ROTO, ALUMIL, REYNAERS.

German technology: CNC production line of latest generation - ROTOX Germany. Evolution has been and is our key word. We constantly invest in technology, production processes and people.

Our priority is customer satisfaction, that's why we will help you choose the doors and windows for your home, offering you consulting, transport and installation services through our network of Dealers and Partners.



**Metaller**<sup>®</sup>  
WINDOWS



VEKA JOINERY

# PVC | Aluminium Joinery Manufacturer



Effective Solutions

# Quality and safety of Metaller windows

Metaller Windows - Hundreds of successful projects! High quality solutions as well as components for implementations in modern, energy-efficient architecture, thus supporting the development of sustainable construction concepts.

Metaller - Manufacturer of PVC and Aluminum joinery with VEKA profiles - tradition of over 40 years in the production of window profiles and thermo insulated doors.



Process  
**Innovation**  
Success

Find out more  
**metaller.us**

**Building  
solutions  
for the  
future**

Products

# Metaller Windows



## VEKA Class A PVC joinery

Metaller windows and doors with double-glazed or trypan VEKA profiles, a safe investment in German class A quality.

## Roller systems

Automatic or manual, they are the optimal solution to offer extra comfort and privacy to your project.

## Aluminium joinery

Aluminum windows and doors. Impressive modern functionality and design. Durable, designed for increased strength.

## Other Metaller products

Glass and Aluminum products. Quality and professional services that meet the most diverse requirements.



### Process

The Metaller process is new, different and ultra-technological. Our products and services meet the highest industry standards.



### Innovation

We are constantly innovating whether it is efficient production processes, installation or professional services. We invest in technology and people.



### Success

Precision and quality. The success of our projects is the most important and satisfying part. Customer satisfaction always comes first.



# VEKA Class A PVC joinery

Metaller Windows - PVC and Aluminum Joinery Manufacturer



We take care of the details that make the difference. Comfort, functionality, design and quality. The main activity of the Metaller brand is the **Production of PVC and Aluminum Joinery.**





**Metaller**®  
WINDOWS

Process  
Innovation  
Success

**Building solutions  
for the future**

## Interior openings

### VEKA 76 AD/MD – 5 chambers

76 mm constructive depth of the profile, elegant edges, with slightly rounded edges, thermal insulation coefficient: up to  $U_w = 0.75 \text{ W / m}^2\text{K}$ , depending on the type of thermal insulation glazing used.

#### Description of VEKA 76 AD/MD

- 76 mm constructive depth of the profile;
- Elegant edges, with slightly rounded edges;
- Coefficient of thermal insulation: up to  $U_w = 0.75 \text{ W / m}^2\text{K}$ , depending on the type of thermal insulation glazing used;
- Exterior wall thickness of 3 mm - CLASS A according to the European standard SR EN 12608;
- Height of the profile combination: 112-173 mm;
- Galvanized steel stiffeners according to VEKA reinforcement regulations, minimum 1.5 mm;
- Possibility of sheets in over 50 colors or imitations of wood, either on both sides, or only on the outside or only on the inside.
- The system can also be customized using VEKA SPECTRAL technology;
- The system allows aluminum cladding on the outside.

#### Functionality and areas of use

- The system can be used both in the case of renovations and in the case of new constructions, including for buildings with low energy consumption or in the case of passive houses;
- Doors for balcony and terrace;
- Sliding doors with lifting;
- Doors with external opening;
- Residential doors.

The configuration of the fold with a depth of 28 mm makes possible glazing from 18 mm to 48 mm (depending on the rod used).

The SOFTLINE 76AD system offers the possibility of foliation in over 50 colors or imitations of wood, either on both sides, or only on the outside or only on the inside. In addition, the system can be customized using VEKA SPECTRAL technology. The system also allows aluminum plating.



# Exterior openings



## VEKA 82 / ArtLine – 7 chambers

82 mm construction depth, 7 inner thermal insulation chambers in the case and 6 chambers in the frame, elegant design, with slightly rounded edges, median gasket for extra protection against draught or humidity.

### Description of VEKA 82 / ArtLine

With the SOFTLINE 82 system can be made all types of windows, including Parallel Sliding. The system is complete and contains the full range of auxiliary profiles.

- 82 mm constructive depth;
- 7 interior thermal insulation chambers in case and 6 chambers in frame;
- Elegant design, with slightly rounded edges;
- Medium gasket (third row of sealing gaskets) for extra protection against draught or humidity;
- Thermal insulation coefficient: up to  $0.67 \text{ W} / \text{m}^2\text{K}$  with 2 or 3 sheets of glass (meets the efficiency standard for passive houses)
- Exterior wall thickness of 3 mm - CLASS A according to the European standard SR EN 12608;
- The height of the profile combination -114-164 mm;
- Galvanized steel stiffeners according to VEKA reinforcement regulations, minimum 1.5 mm;
- Available in 50 sheets in RAL colors, in wood imitations or metal thermo-refractive sheets and allows aluminum plating on the outside.



### Functionality and areas of use

- The system can be used both in the case of renovations and in the case of new constructions, including for buildings with low energy consumption or in the case of passive houses;
- Thermal insulation, soundproof and safety windows;
- Turn-tilt windows, casement windows, movable mullion windows;
- Windows with external opening.

The remarkable thermal insulation coefficient, up to  $U_w = 0.67 \text{ W} / \text{m}^2\text{K}$ , can be obtained depending on the type of thermal insulation glazing used. Thus, the SOFTLINE 82 system meets the default efficiency standard for passive houses.

Due to the configuration of the fold, glazing from 24 mm to 52 mm is possible, depending on the rod used.

The SOFTLINE 82 system is available in almost 50 sheets in RAL colors, in wood imitations or in metal thermo-refractive sheets, on both sides, only outside or only inside. The system also allows aluminum plating.





# Sliding Systems

VEKAMOTION 82



## The lift & slide door. Newly developed by VEKA.

- Insulation value of VEKAMOTION 82:  $U_f = 1.4 \text{ W}/(\text{m}^2\text{K})$ ;
- Insulation value of VEKAMOTION 82 MAX:  $U_f = 1.3 \text{ W}/(\text{m}^2\text{K})$ ;
- Glazing thicknesses of up to 54 mm allow the use of functional glass with high thermal insulation ratings, resulting in insulation values of up to  $U_d = 0.78 \text{ W}/(\text{m}^2\text{K})$  for the overall element;
- Large areas of glass with narrow visible frame surfaces;
- New PVC threshold for easy realisation of barrier-free access and optimal energy efficiency;
- Design version VEKAMOTION 82 MAX with maximum proportion of glass: visible interior profile width of only 28 mm, increasing visible glass area by 7 cm in the width and 13 cm in the height;
- Construction of VEKAMOTION 82 MAX allows frame to be almost completely plastered over, for nearly frameless exterior view;
- Wall thickness to meet highest quality standard (DIN EN 12608, Class A)
- Wide variety of design options with decorative foils and aluminium panels as well as the exclusive VEKA SPECTRAL surface finish.



reddot winner 2021



Das Qualitätsprofil



# Sliding and folding VEKA systems.

**Metaller**  
WINDOWS

Vekaslide system allows to produce large-scale sliding doors and-walls of up to 6.5 m in length with two or more parts. An innovative and perfect sliding door system is a convenient way of widening any space.

The Vekaslide system gives You complete freedom - design, opening, form and installation choices are almost endless. The color selection is the same as other Veka profile products. The special stability of the frame profiles provides durable and reliable elements.

Thanks to its innovative technology, Vekaslide yields great results in energy savings.

### Measurements:

Maximum measure of white sliding system is 6 x 2,7 m

Maximum measure of colored sliding system is 5 x 2,4 m



# // Sliding Systems

## ROTO Patio | VEKA PVC joinery

Universal hardware for minimum effort in Parallel Sliding and Tilt&Slide systems.

- Modular sliding system: high proportion of common parts across all variants;
- Simple and fast manufacturing thanks to compatible assemblies;
- Universal central locking system and standard window handle for all variants;
- Intuitive and comfortable operation as well as quiet running;
- Burglary protection up to RC 2N (even with night ventilation).



### Minimal. Universal.

Roto Patio Alversa enables different opening versions and ventilation functions for Parallel Sliding and Tilt&Slide systems made of timber, PVC and aluminium up to a sash weight of 200 kg to be produced with minimum effort.

The combination of a universal central locking system, universal handle and modular sliding system reduces the outlay required in manufacturing, storage and logistics to a minimum with universal use.





## Roto Inline

The modular Roto Inline hardware system for timber, PVC and aluminium profiles enables windows and balcony/terrace doors with sash weights of up to 200 kg to be pushed to the side comfortably and practically.

Hardware systems for simple sliding windows and doors:

- Modular sliding system;
- One-point / multi-point locking system;
- Single-action or reverse-action espagnolette, optionally lockable;
- Robust and sturdy roller units for silent and easy operation;
- Wide selection of pop-up & sliding handles.

## Variants

Roto Patio Alversa meets individual customer requirements as a result of its modular design. Just one system provides four different solutions, as Roto Patio Alversa can be designed as a Parallel Sliding or a Tilt&Slide system.

Night or tilt ventilation can be selected depending on the version.

The combination of a Parallel Sliding system and tilt ventilation is unique on the market.





**VEKA SPECTRAL**

# The art of design.

## **VEKA always means a unique fascination and innovation every day.**

The VEKA SPECTRAL design is a special experience that instantly activates the sense of aesthetics and elegance. VEKA SPECTRAL opens to the beneficiaries a new aesthetic dimension through:

- Delicate and refined varnishing of surfaces.
- Incomparable aesthetics with a fascinating look that amazes with an extraordinary power of colors.
- The VEKA quality standard is unequalled by the complexity of the manufacturing technology.
- Unique superior resistance to scratches or external natural factors.
- A special product intended exclusively for VEKA partners.

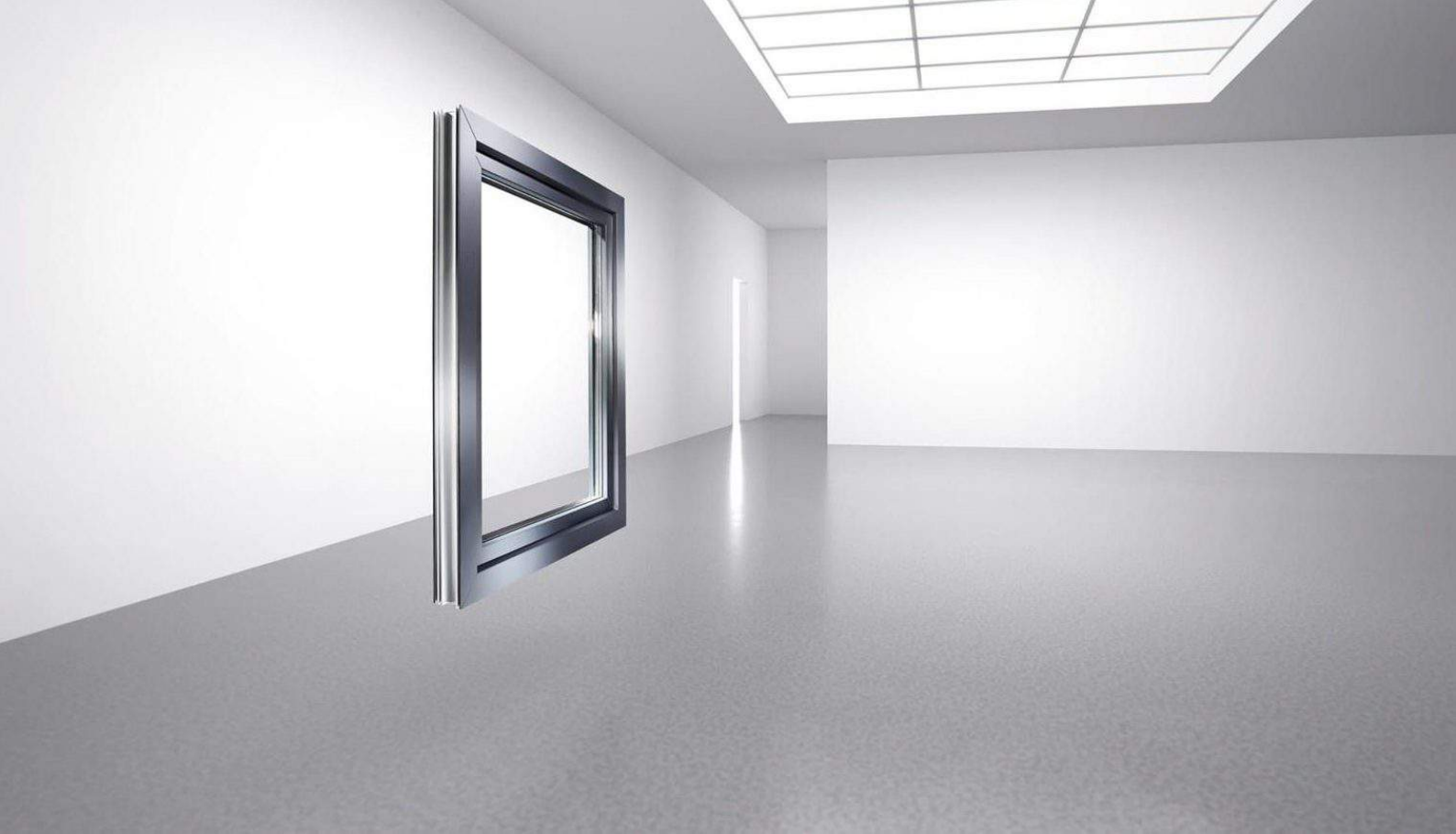




**Always in trend, VEKA SPECTRAL offers exclusive shades for visionary customers.**

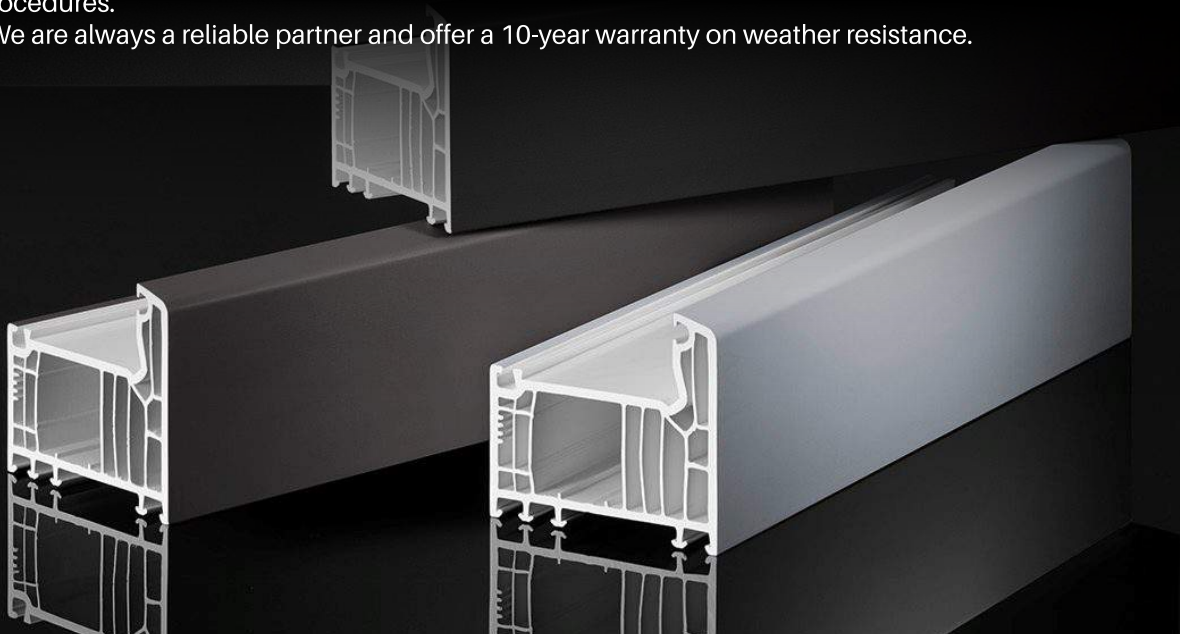
- Ultra-matte anthracite gray
- Ultra-matte gray
- Ultra-matte ombre gray
- Ultra-matte pure white
- Ultra-matte white
- Ultra-matte blue steel
- Ultra-matte graphite black
- Ultra-matte fir green
- Ultra-matte monumental green





**VEKA means safety for decades and VEKA quality is the very definition of resistance itself.**

- The attraction is immediate both to the eye, through the special color, and to the touch, through the delicate surface.
- We treat the surfaces with a special process of varnishing by hardening to give a high resistance to scratches, abrasions and aggressive substances in the environment.
- The stability of the profiles is provided by a minimum heat absorption.
- Whatever the changes in temperature and humidity, the resistance is high.
- Any processed surface is tested according to RAL procedures.
- We are always a reliable partner and offer a 10-year warranty on weather resistance.





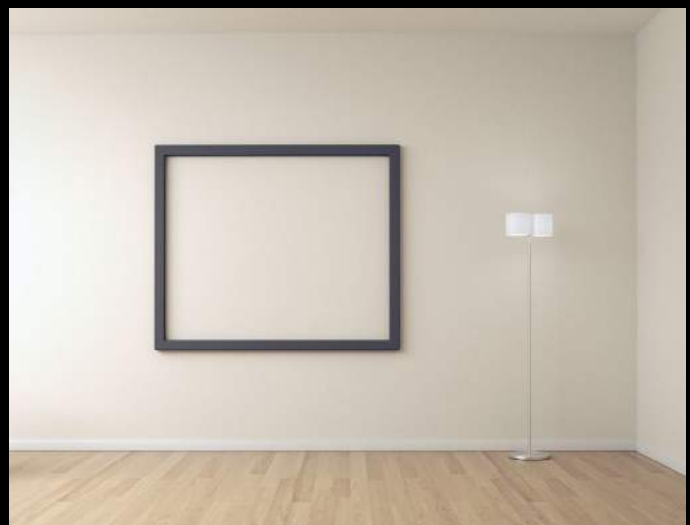
## **VEKA SPECTRAL is the ideal choice for a reliable partnership.**

VEKA SPECTRAL is the excellent result of many years of research in our laboratories and a technology materialized through an exclusive VEKA product always has a high standard of quality and an accuracy of delivery precisely through an absolute control over all aspects of its products.

We are always looking for innovative solutions and technologies both by the number of colors and by the characteristics of the surfaces.

We always take care of the environment and manage to make our products completely recyclable.

We have always been consistent with high quality standards and complete services.



**VEKA SPECTRAL**



Das Qualitätsprofil  
\*\*\*\*\*

## Door profile VEKA 76 AD

76 mm constructive depth of the profile, elegant edges, with slightly rounded edges, thermal insulation coefficient: up to  $U_w = 0.75 \text{ W / m}^2\text{K}$ , depending on the type of thermal insulation glazing used.

### Description of VEKA 76 AD

- 76 mm constructive depth of the profile;
- Elegant edges, with slightly rounded edges;
- Medium gasket (third row of sealing gaskets) for extra protection against draught or humidity;
- Coefficient of thermal insulation: up to  $U_w = 0.75 \text{ W / m}^2\text{K}$ , depending on the type of thermal insulation glazing used;
- Exterior wall thickness of 3 mm - CLASS A according to the European standard SR EN 12608;
- Height of the profile combination: 112-173 mm;
- Galvanized steel stiffeners according to VEKA reinforcement regulations, minimum 1.5 mm;
- Possibility of sheets in over 50 colors or imitations of wood, either on both sides, or only on the outside or only on the inside.
- The system can also be customized using VEKA SPECTRAL technology;
- The system allows aluminum plating on the outside.



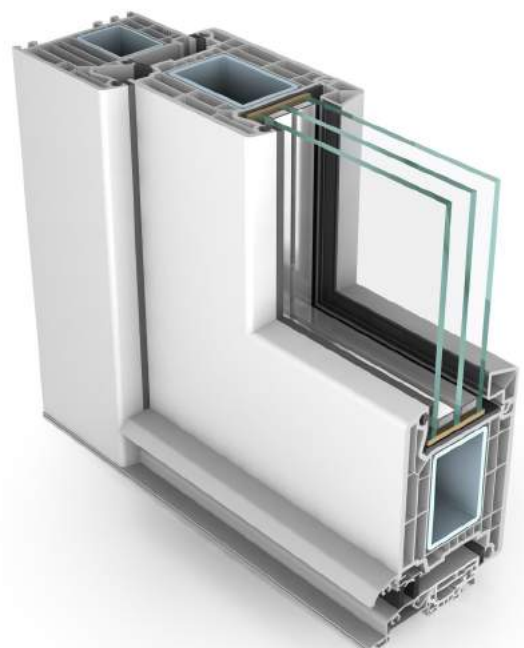
### Functionality and areas of use

- The system can be used both in the case of renovations and in the case of new constructions, including for buildings with low energy consumption or in the case of passive houses;
- Doors for balcony and terrace;
- Sliding doors with lifting;
- Doors with external opening;
- Residential doors.

The configuration of the fold with a depth of 28 mm makes possible glazing from 18 mm to 48 mm (depending on the rod used).

The SOFTLINE 76 system offers the possibility of foliation in over 50 colors or imitations of wood, either on both sides, or only on the outside or only on the inside. In addition, the system can be customized using VEKA SPECTRAL technology.

The system also allows aluminum plating.



# Door profile VEKA 82 MD

82 mm construction depth, 7 inner thermal insulation chambers in the case and 6 chambers in the frame, elegant design, with slightly rounded edges, median gasket for extra protection against draught or humidity.

## Description of VEKA 82

With the SOFTLINE 82 system can be made all types of windows, including Parallel Sliding. The system is complete and contains the full range of auxiliary profiles.

- 82 mm constructive depth;
- 7 interior thermal insulation chambers in case and 6 chambers in frame;
- Elegant design, with slightly rounded edges;
- Medium gasket (third row of sealing gaskets) for extra protection against draught or humidity;
- Thermal insulation coefficient: up to  $0.67 \text{ W / m}^2\text{K}$  with 2 or 3 sheets of glass (meets the efficiency standard for passive houses)
- Exterior wall thickness of 3 mm - CLASS A according to the European standard SR EN 12608;
- The height of the profile combination - 114-164 mm;
- Galvanized steel stiffeners according to VEKA reinforcement regulations, minimum 1.5 mm;
- Available in 50 sheets in RAL colors, in wood imitations or metal thermo-refractive sheets and allows aluminum plating on the outside.





# Metaller Aluminum Joinery

Metaller Windows - PVC and Aluminum Joinery Manufacturer



**Alumil**  
Building excellence every day

**R | REYNAERS**  
aluminium

**ALUPROF**  
ALUMINIUM SYSTEMS

**SCHÜCO**

We take care of the details that make the difference. Comfort, functionality, design and quality. The main activity of the Metaller brand is the **Production of PVC and Aluminum Joinery.**



**Metaller**<sup>®</sup>  
WINDOWS

Process  
Innovation  
Success

**Building solutions  
for the future**

# Windows

## Aluminum joinery

### Quality and efficiency

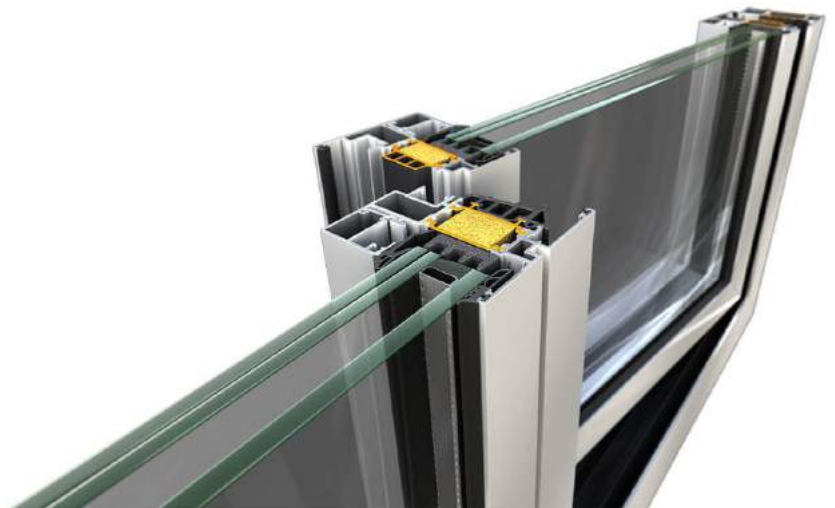
Aluminum joinery - Orientation towards design, the need for complex, durable joinery systems with various architectural possibilities have imposed aluminum systems as the ideal solution.

#### Description

This solution - Aluminum joinery - is perfectly compatible with individual homes, through aluminum profiles with thermal barrier, which ensures a very good insulation and high resistance to environmental factors for a long time.

Maintenance costs are minimal for aluminum windows and doors, it insulates buildings thermally and acoustically particularly well, together with a suitable window obtaining a heat transfer coefficient up to the standard of passive houses.

Aluminum joinery is synonymous with quality and absolute durability. This joiner system has the widest range of products. From aluminum joinery for simple windows without thermal barriers to complex windows with outstanding thermal barriers, even fireproof aluminum joinery systems.





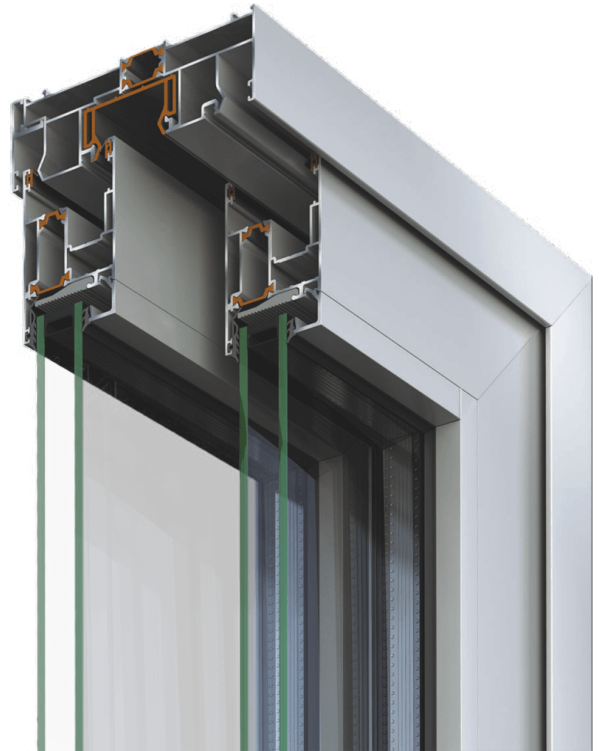
## Design and Innovation

Metaller Windows has aluminum window and door systems ideal for your home or your commercial space. Our aluminum joinery systems incorporate the experience and professionalism of our company.

Innovation, functionality and cutting-edge design in all our products. Metaller Windows always relies on superior quality - aluminum windows being the first choice for top builders and renovation projects where there is no compromise.

Metaller Windows aluminum windows and doors give you the opportunity to modernize the look of your home, save energy resources and increase the safety of your home.

Aluminum joinery with casement, turn-tilt, sliding, modern and flexible systems, with flat design, with or without thermal barrier, lift-sliding systems etc. - resistant and elegant solutions for any type of project such as residences, office buildings, conference centers, hotels, restaurants and more.



## Why choose aluminum joinery for windows and doors:

- Design, execution and assembly provided for large areas;
- Aluminum joinery offers an extra elegance for your project;
- Increased resistance over time, the rate of wear is reduced on aluminum windows and doors;
- Perfect tightness in extreme weather conditions, water and strong wind, aluminum joinery is not subject to deformation or breakage;
- Remarkable sound and thermal insulation, aluminum windows and aluminum doors are perfect for crowded areas;
- in cities, aluminum joinery also offers burglary protection;
- Diversified range of colors - for aluminum joinery you can choose special colors, electrostatic painting, etc.



# // Doors

## Aluminum joinery

### Ingenious solutions

Aluminum joinery - Orientation towards design, the need for complex, durable joinery systems with various architectural possibilities have imposed aluminum systems as the ideal solution.

#### Description

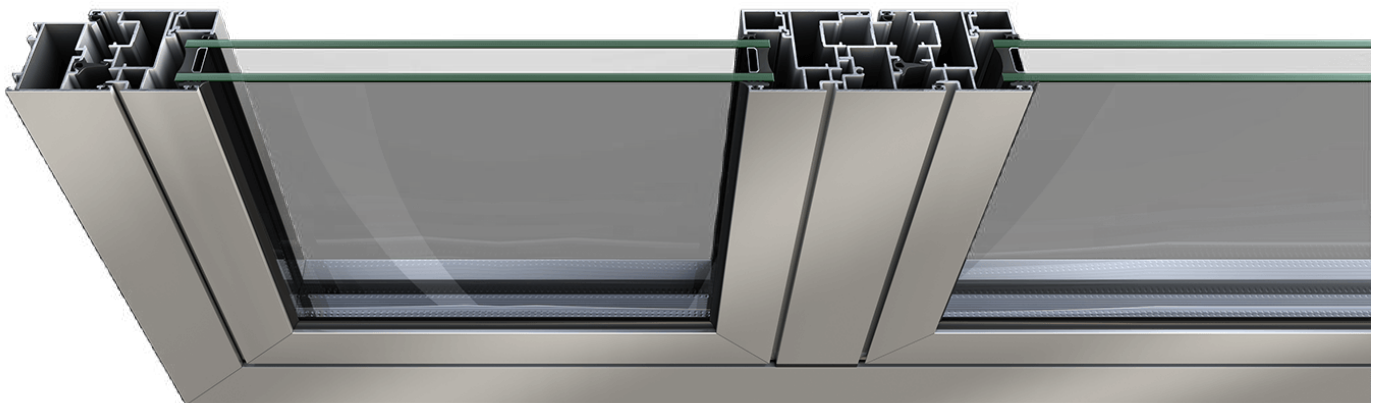
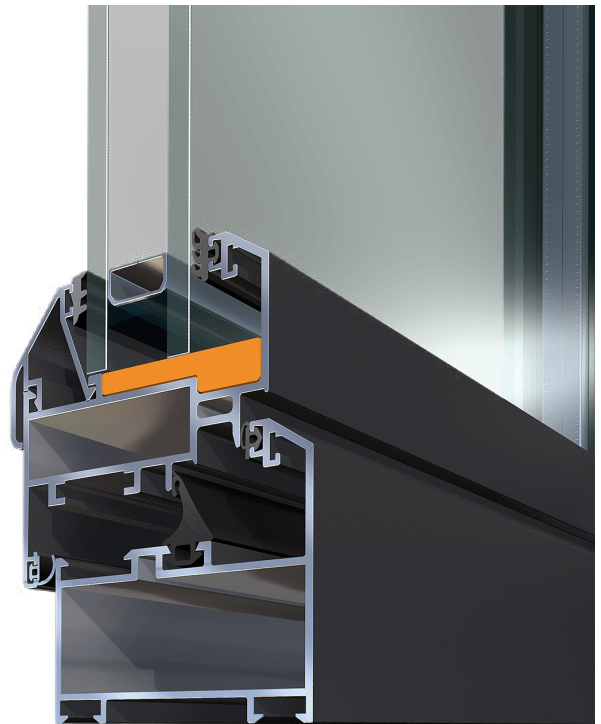
High level of security, maximum energy savings due to the exceptional thermic, ideal access for people with disabilities and children, exceptional sound insulation.

The most attractive residences have one thing in common: impressive front doors.

The entrance doors lead residents and their guests into the house, while protecting against unwanted "visitors" such as cold, noise and, of course, ... thieves!

Metaller entrance doors combine several design options with a high level of security, outstanding thermal insulation and exceptional durability.

Metaller Windows offers a wide variety of "filling" options - aluminum or glass panels - these access doors are able to meet the most demanding architectural trends.



## Design and Innovation

Metaller Windows has aluminum window and door systems ideal for your home or your commercial space. Our aluminum joinery systems incorporate the experience and professionalism of our company.

Innovation, functionality and cutting-edge design in all our products. Metaller Windows always relies on superior quality - aluminum windows being the first choice for top builders and renovation projects where there is no compromise.

Metaller Windows aluminum windows and doors give you the opportunity to modernize the look of your home, save energy resources and increase the safety of your home.

Aluminum joinery with casement, turn-tilt, sliding, modern and flexible systems, with flat design, with or without thermal barrier, lift-sliding systems etc. - resistant and elegant solutions for any type of project such as residences, office buildings, conference centers, hotels, restaurants and more.



## Why choose aluminum joinery for windows and doors:

- Design, execution and assembly provided for large areas;
- Aluminum joinery offers an extra elegance for your project;
- Increased resistance over time, the rate of wear is reduced on aluminum windows and doors;
- Perfect tightness in extreme weather conditions, water and strong wind, aluminum joinery is not subject to deformation or breakage;
- Remarkable sound and thermal insulation, aluminum windows and aluminum doors are perfect for crowded areas;
- in cities, aluminum joinery also offers burglary protection;
- Diversified range of colors - for aluminum joinery you can choose special colors, electrostatic painting, etc.



# // Curtain walls

## Aluminum joinery

## Innovative facades

Aluminum joinery - Orientation towards design, the need for complex, durable joinery systems with various architectural possibilities have imposed aluminum systems as the ideal solution.

### Description

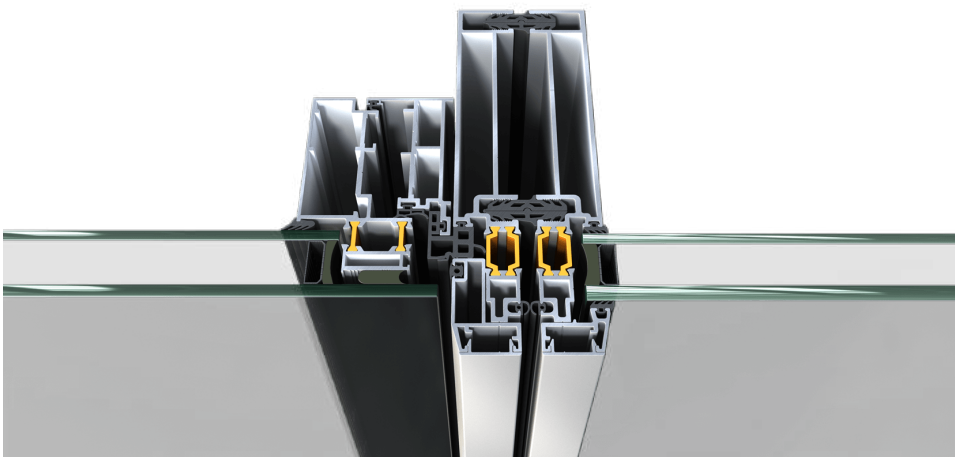
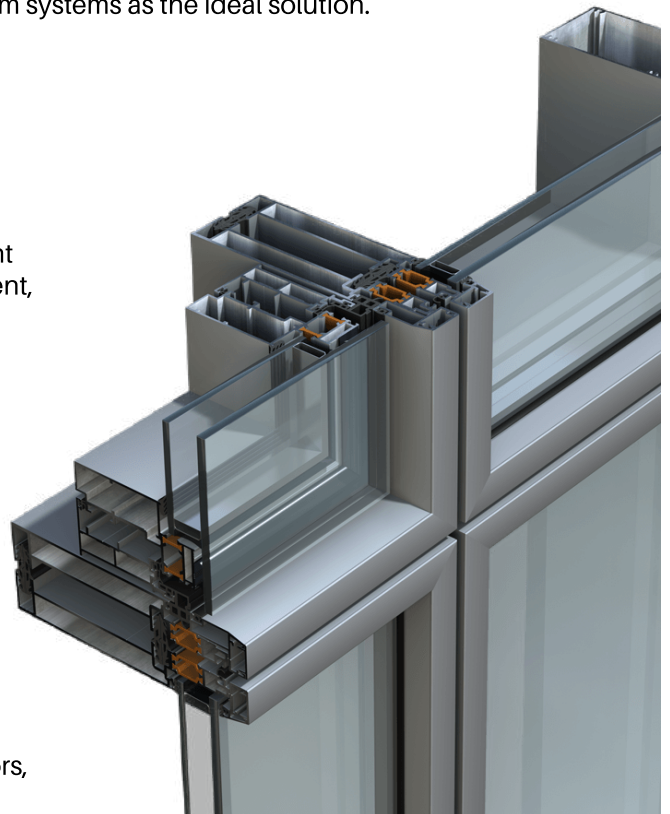
Curtain walls for innovative, successful facades. High quality aluminum and glass for your construction.

A technologically advanced, modern and energy efficient facade. Obtaining an optimal thermal insulation coefficient, with different types of finishes to meet the technical and architectural requirements of a successful project.

Waterproof functions, resistant to wind loads and with protection from heat, noise and burglary, moisture. The facades are specially designed to perform the highest ergonomic functions - optimal sun heat, ventilation and natural light.

The design of current facades with profiles that have smaller and smaller visible widths for a better integration with other complementary systems - doors, shading systems, awnings, balconies, railings etc.

These facades are available in different finishes and colors, for interior and exterior - matte, metallic, glossy and other textures.

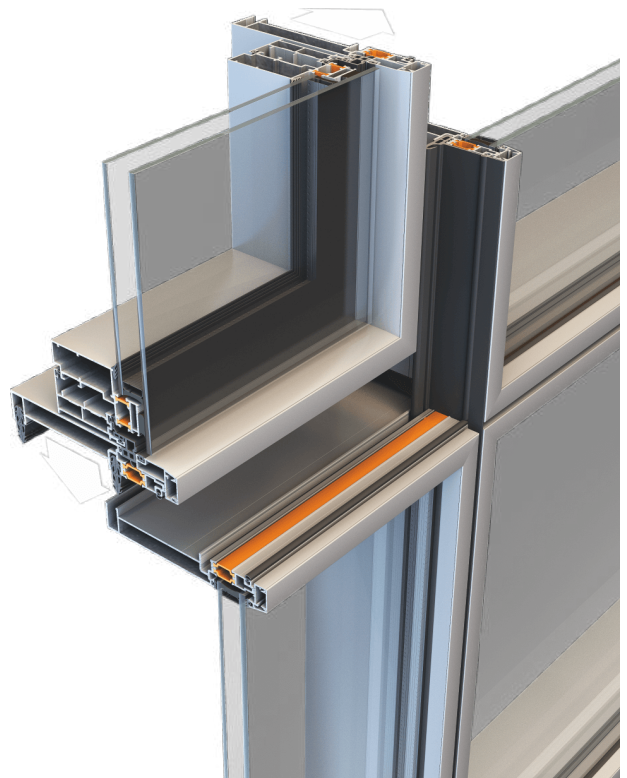


## Design and Innovation

These types of curtain walls can be adapted for any project depending on the required characteristics - Curtain walls are innovative facades, with multiple design and implementation possibilities.

These curtain walls are also a solution for closing systems of interior spaces or the construction of skylights - applied on steel, wood and concrete structures.

Curtain walls for innovative, successful facades. High quality aluminum and glass for your construction.



**Metaller**<sup>®</sup>  
WINDOWS

## Why choose aluminum joinery for windows and doors:

- Design, execution and assembly provided for large areas;
- Aluminum joinery offers an extra elegance for your project;
- Increased resistance over time, the rate of wear is reduced on aluminum windows and doors;
- Perfect tightness in extreme weather conditions, water and strong wind, aluminum joinery is not subject to deformation or breakage;
- Remarkable sound and thermal insulation, aluminum windows and aluminum doors are perfect for crowded areas;
- in cities, aluminum joinery also offers burglary protection;
- Diversified range of colors - for aluminum joinery you can choose special colors, electrostatic painting, etc.



## For the exterior

Aluminium Joinery - Orientation towards design, the need for complex, durable joinery systems with various architectural possibilities have imposed aluminum systems as the ideal solution.

### Description

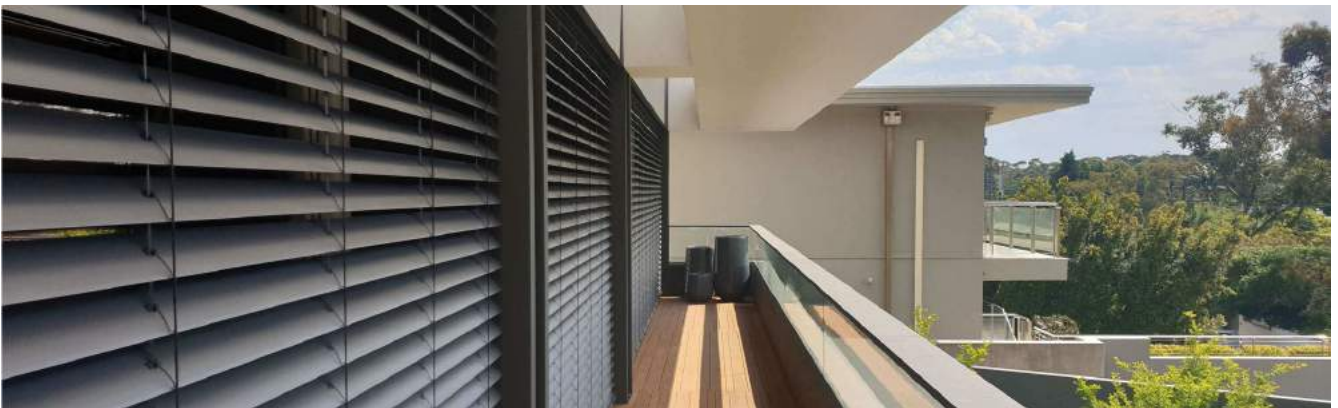
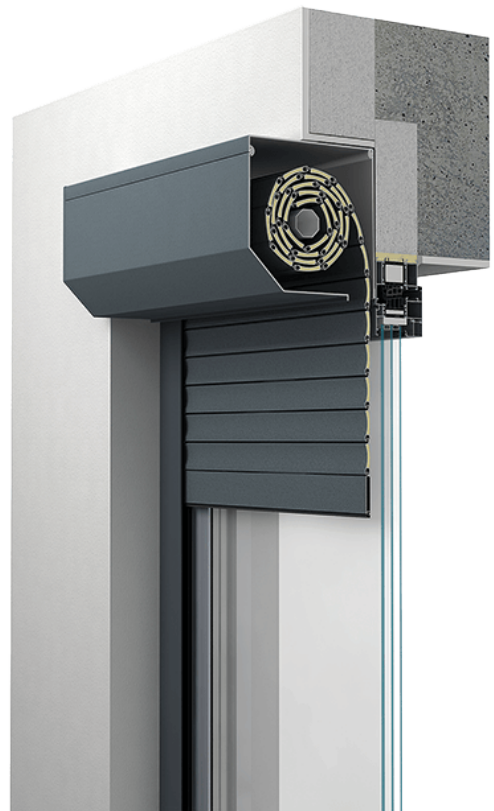
Intended for renovations or new projects. Metaller exterior roller shutter systems meet the requirements for sun protection and burglary, these being the main features of a truly efficient product.

Metaller blinds provide protection, privacy against unwanted glances, protection against insects and pests, but also add extra comfort to the interior for optimal rest.

Customizable in joinery colors or foiled with window texture. Metaller blinds are provided at the top with an elegant embedded box that completes the design of the joinery.

The roller blind systems are designed to meet the highest quality standards in the field. These blinds are a necessary addition to the joinery of your project.

Metaller offers several solutions for operating the roller blinds: Manual with ribbon, electric and with remote control.



# Types of roller blinds

## Applied

Designed for installation on existing buildings, for an extra modernization of the space when renovating the building.

Metaller offers high quality aluminum elements with increased weather resistance.

They also provide sound and thermal insulation of the building and can be accessorized with insect nets.



## Built-in

Designed for mounting to new constructions, embedded in the wall - you can choose its plastering, this way, the rolling box becomes invisible.

Built-in Metaller blinds can be adapted to typical architectural design classes with a wide chromatic diversity.

High quality aluminum, with increased weather resistance, contributes to the sound and thermal insulation of the building.



## Overlapping

They are similar to built-in roller blinds, they are designed for new constructions.

Overlapping Metaller blinds can be adapted to any type of architectural design with a wide chromatic diversity.

With increased resistance to weathering, wear and mechanical actions. These roller shutters are part of the carpentry assembly and contribute to the sound insulation and finish of the construction.



# // Large openings

## Aluminum joinery



### **Metaller products for spaces with large openings.**

A door that turns your space into a terrace.

PVC and Aluminum joinery for spaces with large openings are designed to provide a modern air and comfort for your space.

Metaller solutions are perfectly adaptable and customizable for any project. Redefines harmony with products for large openings.

### **Why choose Metaller products?**

High-performance, high-quality and efficient solutions.

Made of high quality materials, energy efficient, heat efficient, with exceptional sound insulation. You save energy regardless of the season.



## Accordion openings

These doors offer perfect mobility - great freedom of opening with accordion-type systems.

It consists of folding-sliding mobile harmonic sheets.

This system allows full opening for unlimited exterior-interior access and solves the problem of the crossbar.



## Sliding openings

An entire glass wall - which offers an exceptional bright surface with a complete view to the outside.

Metaller sliding doors can be up to 10 meters long and due to their practical opening - sliding - they save space, compared to casement, oscillating ones.

These systems add energy, thermal insulation and quality. You just enjoy the benefits of this efficient system.





# ROTO Ironware

Metaller Windows – **PVC and Aluminum Joinery Manufacturer**

We take care of the details that make the difference. Comfort, functionality, design and quality. The main activity of the Metaller brand is the **Production of PVC and Aluminum Joinery.**



**Metaller**<sup>®</sup>  
WINDOWS

Process  
Innovation  
Success

**Building solutions  
for the future**



## **Roto Group - Leader for over 80 years**

Windows and doors open spaces and at the same time offer protection. For Roto, windows and doors, as the interface between interior and exterior, are a means to achieve your goal.

Our goal is to provide people a better quality when it comes to the windows and doors of their home.

For this reason we continuously develop solutions that intelligently combine safety, energy saving and home comfort. What if we lived in a world where windows would open and close automatically, control air conditioners and central heating, or transmit burglary attempts directly to the alarm system? Roto offers you the solutions to make this possible today.

We are internationally recognized for innovative, customized and safe solutions in international ironware technology, designed by a team of the best designers and engineers.

## **ROTO ironware for windows and doors.**

Metaller offers Roto ironware for windows and doors. We use only quality products in the manufacturing process of Metaller windows. Ironware and handles can be chosen and customized according to your application and project.

### **Everything for quality**

Since the invention of the turn-tilt ironware made industrially by the founder of our company Wilhelm Frank in 1935, the principle of its operation has gained recognition in many parts of the world.



### **German Made - What Does It Mean?**

Modern systems allow not only the oscillating opening, but also the swinging of a window, with one hand, offering maximum comfort and safety.

Our common values represent an identity, a whole, that has allowed Roto, as a German group, to become a leader in systems - ironware for windows and doors. The value structure of our company is based on three pillars:

- Continuity, results and reliability
- Experience, ambition to succeed and vision
- Knowledge, ability and skills of German engineering
- Being an initiator in terms of technology, Roto develops intelligent solutions for products, which impress with their technical precision and long service life.

Both production and environmental management, as well as logistics, regardless of the country of manufacture, are based on German values such as reliability, strictness and vision.

German precision in design and development, together with quality and process management, ensures the provision of high quality performance and services worldwide.

The consistency with which German values are implemented in quality specifications and standards, ensures the trust of our partners and customers.

**This is "German made".**



## Window handles

Continuous research in the field of window handles emphasizes the successive transformation from a simple auxiliary element into a visible and attractive element of the window.

Together with the profile system, it is the most important stylistic element of a window. From a variety of shapes and colors, you can create windows with visible accents, either with a modern design or with a classic design. Roto window handles are certified and guarantee the long-term operation of this first-class technology.





A complete team

# Metaller Partner



## Join the Metaller family

Any beginning of a journey in a business can be a difficult journey and loaded with certain processes and beyond. A journey in which you invest financial resources, time and patience, but the result may not be exactly what you expect.

With Metaller Windows all these inconveniences become almost forgotten. Metaller Partner is the solution through which you can start your own business easily and quickly. We provide you our professionalism and experience so that your business can work.

Metaller Windows is a manufacturer of PVC and Aluminum joinery, with modern factory and technology, VEKA Class A profiles. Customer trust, project success and efficiency recommend us.





# Partner Advantages

**Any beginning of a journey in a business can be a difficult journey and loaded with certain processes and beyond.**

We provide you with all the resources you need to succeed. The reasons why the Metaller Partner Concept may be the solution for you are:

- ✓ A turnkey business: We designed a package through which the concept is profitable, verified in financial terms, the system is profitable, this way you buy a business that is already sustainable.
- ✓ You have a direct relationship with the manufacturer Metaller: There are no third parties between you and us, this aspect completely eliminates the negative influence of prices, we assure you that you will benefit from the best offers.
- ✓ We invest constantly: Our factory is equipped with the latest technologies, quality materials, VEKA Class A profiles - leader on the PVC joinery market. We invest in people, in the professional development of our employees.
- ✓ Advantageous costs: We bring a concept in which we and you divide the investment in such a way that the result is an efficient one. You're evolving with us, with Metaller.
- ✓ Access to Digital content for promotion: We have prepared special Brand brochures - You have access to the entire Metaller guideline, this way you make sure that your visual presence is a professional and efficient one. Don't have a design company to work with? We provide you our collaborators and their design studio.
- ✓ You benefit from all aspects of a solid partnership, starting with specialized consulting and technical support for Metaller products. You are recognized in the market as the representative of the manufacturer / factory Metaller.

**We take care of the details that make the difference.**  
Comfort, functionality, design and quality.

The main activity of the Metaller brand is the production of PVC, Aluminum and Roller Shutters, and marketing, manufacturing and processing of high quality PVC and aluminum products.

Process  
Innovation  
Success

**Building solutions  
for the future**





[metaller.us](https://www.metaller.us)



[metallerwindows.com](https://www.metallerwindows.com)



[fenstermetaller.de](https://www.fenstermetaller.de)



[metaller.fr](https://www.metaller.fr)



[metaller.ro](https://www.metaller.ro)



[metaller.it](https://www.metaller.it)



[metaller.es](https://www.metaller.es)

**Email**

[office@metaller.ro](mailto:office@metaller.ro)

**Telephone**

+40 786 365 311

**Address**

Calea Dejului 148, Bistrita, Romania

**Metaller**  
WINDOWS

**VEKA JOINERY**  
PVC | Aluminium  
Joinery Manufacturer

learn more about us here [metaller.us](https://www.metaller.us)